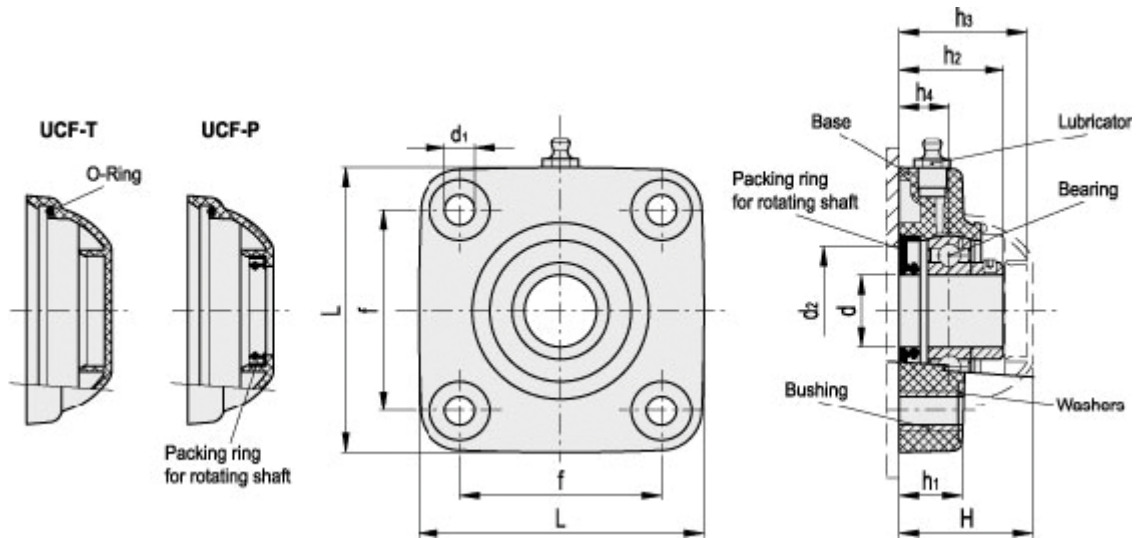


Article number: 2310419561

Description: E+G flanged self-aligning brackets UCF.206-A-30-T

Measures



Bearing dynamic load in N	= 19000	H = 56
Bearing static load in N	= 11000	h1 = 26
Bracket load in N	= 17000	h2 = 41
d	= 8	h3 = 54
d1	= 10.5	h4 = 20
d2max	= 60	L = 113
d2min	= 50	
f	= 83	